

**TAVOLO ARMADIO CALDO NO TOP 2 PORTE BATTENTI  
HOT CUPBOARD VENTIL NO TOP WITH 2 HING. DOORS**

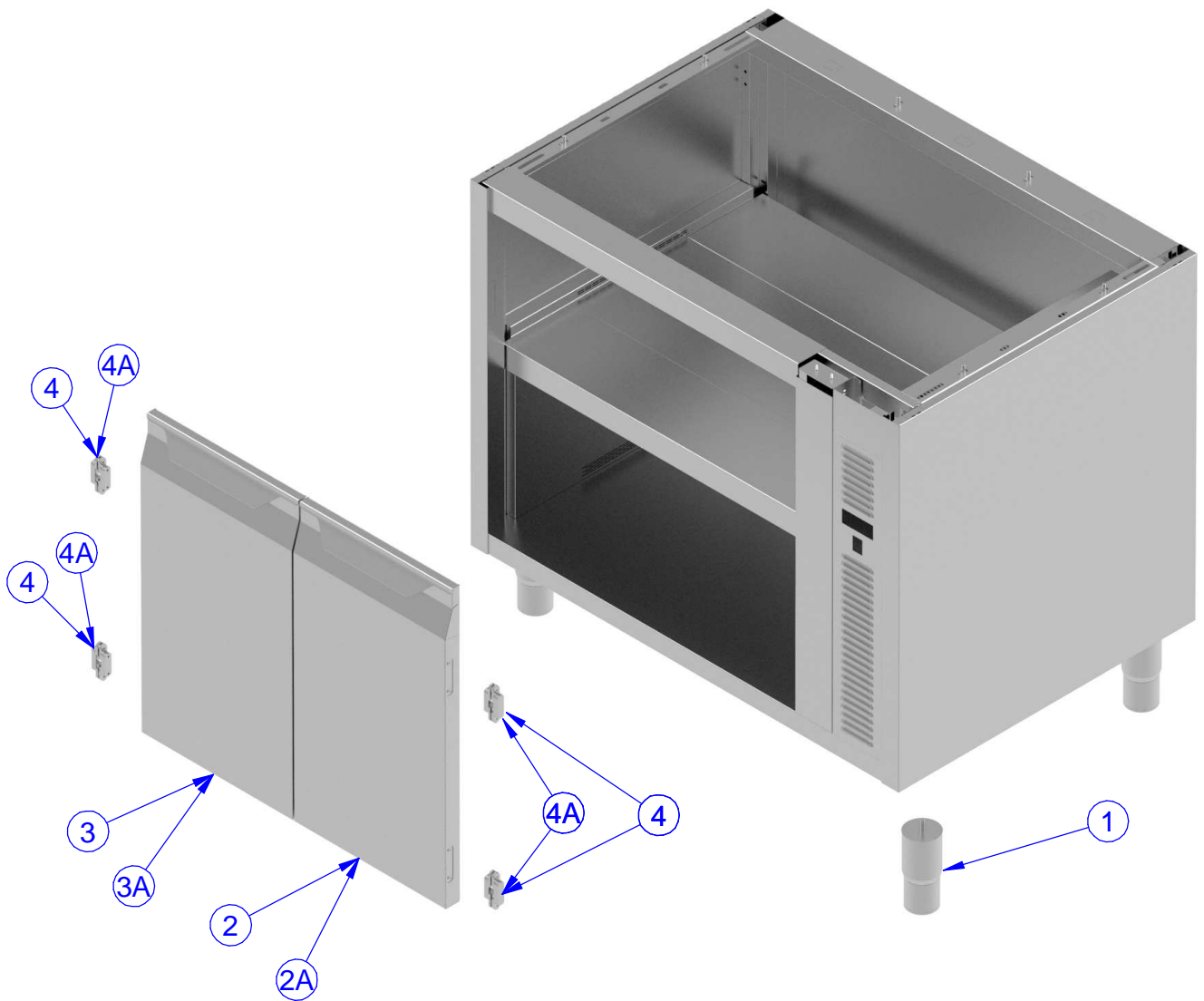
---

PNC	MODEL	L = mm	H = mm	REF	PNC	MODEL	L = mm	H = mm	REF
133188	RHC10002HD	1000	900	a					

Pag.	Descrizione	Description
1	Indice	Index
2-3	Disegni	Drawings
4	Lista ricambi	Spare parts list

**Brand / Marchio:** STD

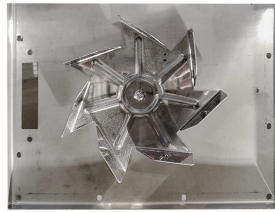
**TAVOLO ARMADIO CALDO NO TOP 2 PORTE BATTENTI**  
**HOT CUPBOARD VENTIL NO TOP WITH 2 HING. DOORS**



**TAVOLO ARMADIO CALDO NO TOP 2 PORTE BATTENTI**  
**HOT CUPBOARD VENTIL NO TOP WITH 2 HING. DOORS**



**7**



**8**

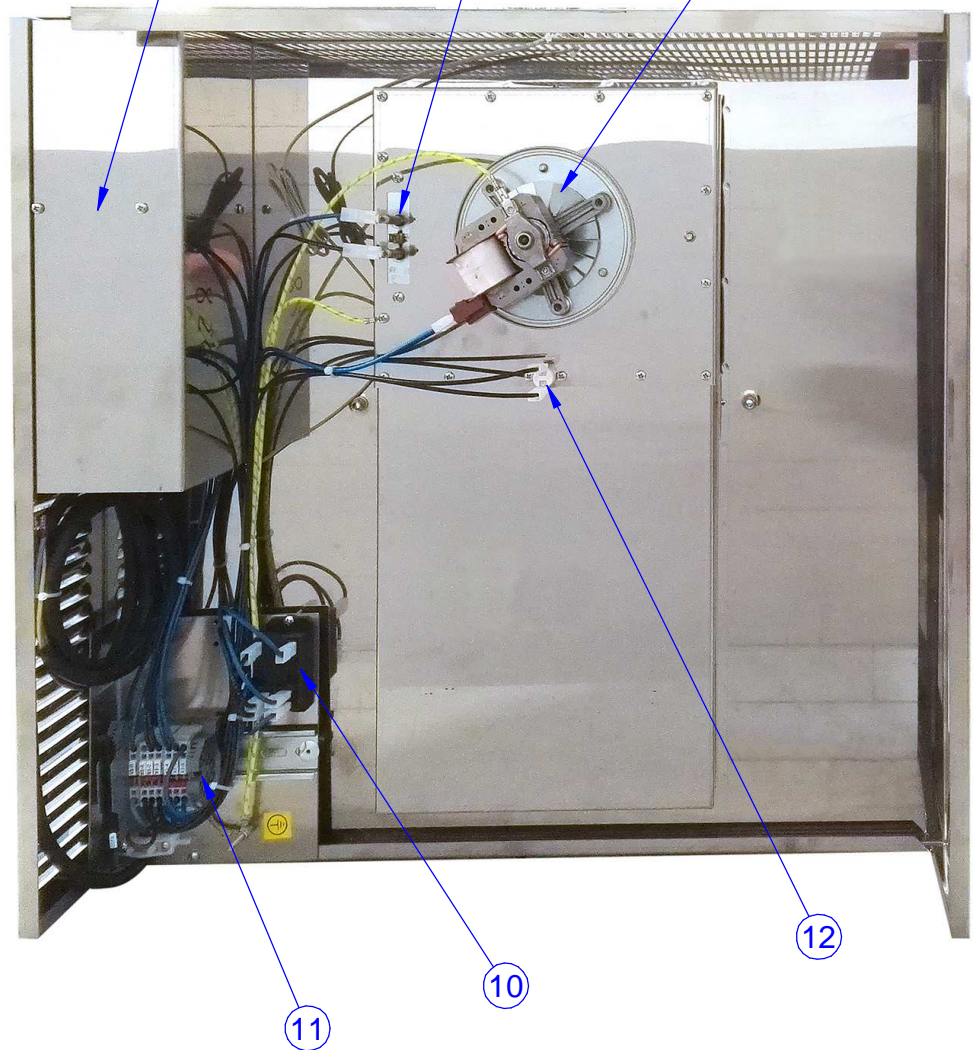


**9**



**5**

**6**



**7**

**9**

**8**

**11**

**10**

**12**

**TAVOLO ARMADIO CALDO NO TOP 2 PORTE BATTENTI  
HOT CUPBOARD VENTIL NO TOP WITH 2 HING. DOORS**

POS	( x ) Valido dal Seriale 908xxx To be used from S/N 908xxx	COD	DESCRIZIONE	DESCRIPTION	Alias code	NOTES/REF.
1		0PEA92	Piede regolabile	Piede regolabile	254000203	a
2		0PEA58	Porta Battente DX 800	Right hing. door 800	21400A283	a
2A	x				2140AA283	
3		0PEA59	Porta Battente SX 800	Left hing. door 800	21400A284	a
3A	x				2140AA284	
4		0PE944	Cerniera porta battente	Cerniera porta battente	254000204	a
4A	x		Cerniera porta battente ATK	Cerniera porta battente ATK	254000252	
5		0PEB31	Digital Thermostat (EV3B21N7+SONDA (EVTPN615F200))	Digital Thermostat (EV3B21N7+SONDA (EVTPN615F200))	256700003	a
6		0PEB32	Bipolar sw itch (4107150)	Bipolar sw itch (4107150)	256700002	a
7		0PEB33	Fan 95x95 230VAC (45109624)	Fan 95x95 230VAC (45109624)	256700008	a
8		0PEB34	Fan 230VAC (8077C)	Fan 230VAC (8077C)	256700006	a
9		0PE951	Heather 2400W (6109157)	Heather 2400W (6109157)	256700005	a
10		0PE749	Relay electro magnetic (T92P 7A 22-240)	Relay electro magnetic (T92P 7A 22-240)	256700004	a
11		0PE747	Fuses 6.3x32 15A (305015)	Fuses 6.3x32 15A (305015)	256700001	a
12		0PEB55	Safety thermostat	Safety thermostat	256700007	a